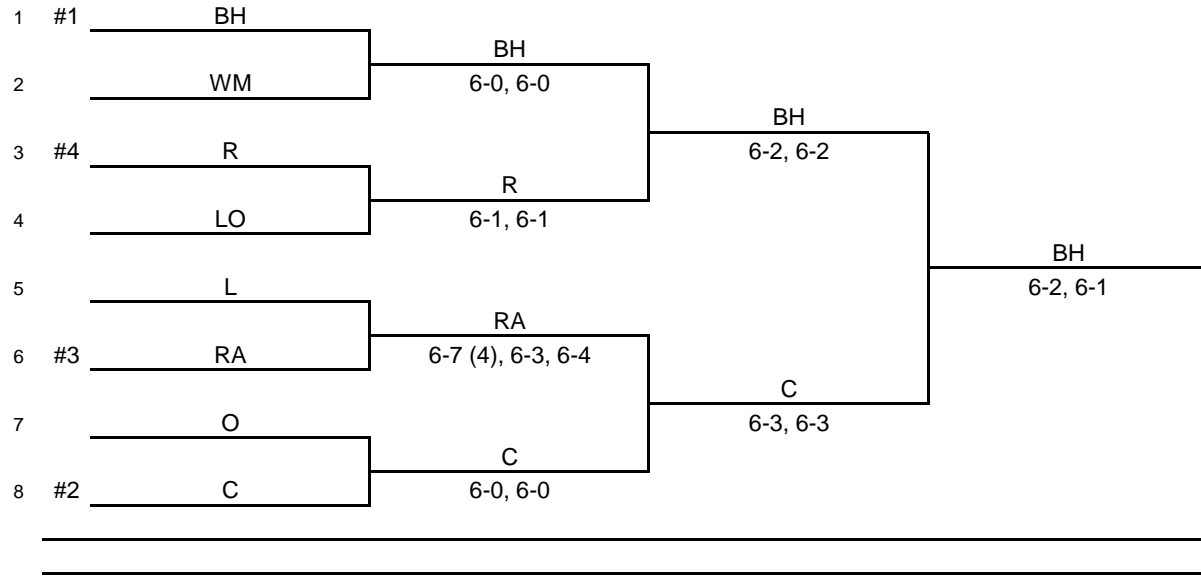
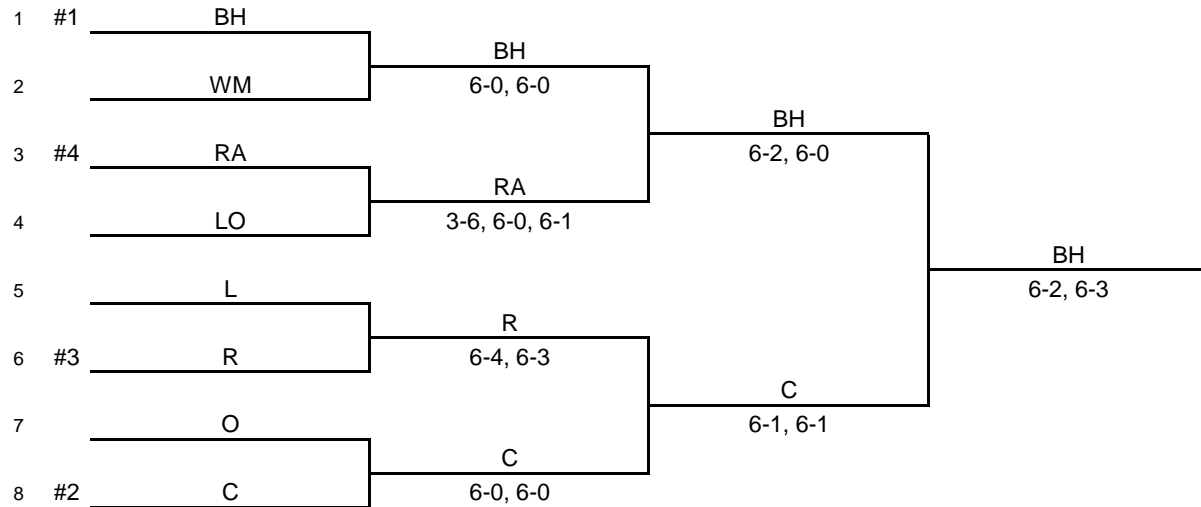


# 2018 Boys Tennis Regional 7 - Clarkston 10/11/18



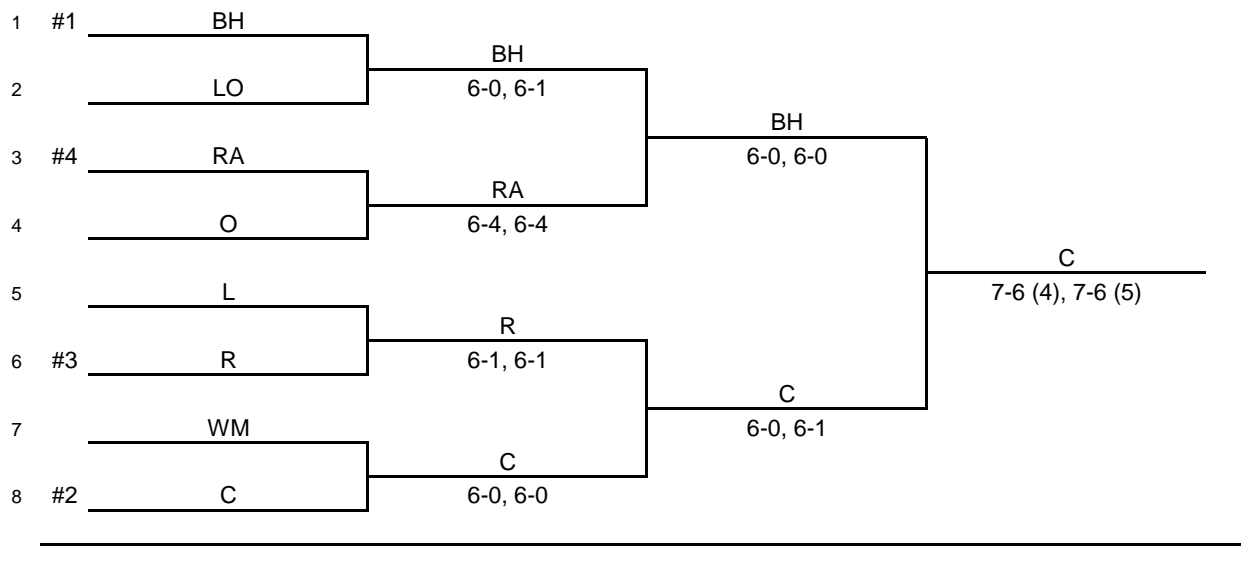
#1 SINGLES	
BH	Andrew Zhang
C	Luke Baylis
L	David Pluszczyk
LO	Felix Partington
O	Lauren Opalewski
R	Vlad Meluta
RA	Julian Hyman
WM	Nick Ruelle

PARTICIPATING SCHOOLS	
Bloomfield Hills (BH)	
Clarkston (C)	
Lakeland (L)	
Lake Orion (LO)	
Oxford (O)	
Rochester (R)	
Rochester Adams (RA)	
Waterford Mott (WM)	



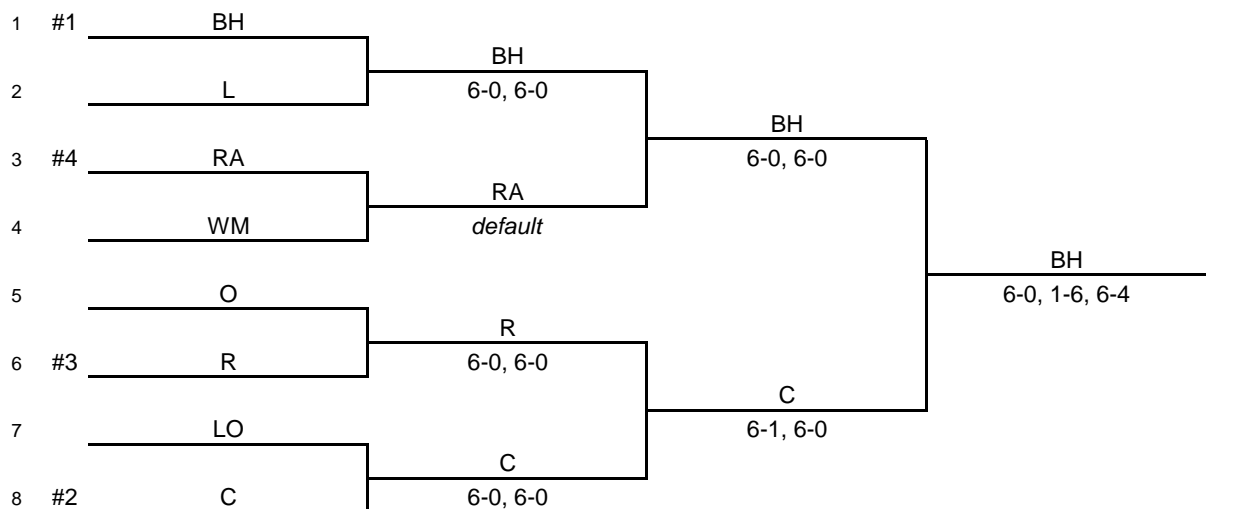
#2 SINGLES	
BH	Tommy Herb
C	Jacob Burkett
L	Josh Parsons
LO	Nick Palatka
O	Brock Heilig
R	Kethan Gudi
RA	Evan Chang
WM	Jack Gaddis

## 2018 Boys Tennis Regional 7 - Clarkston 10/11/18



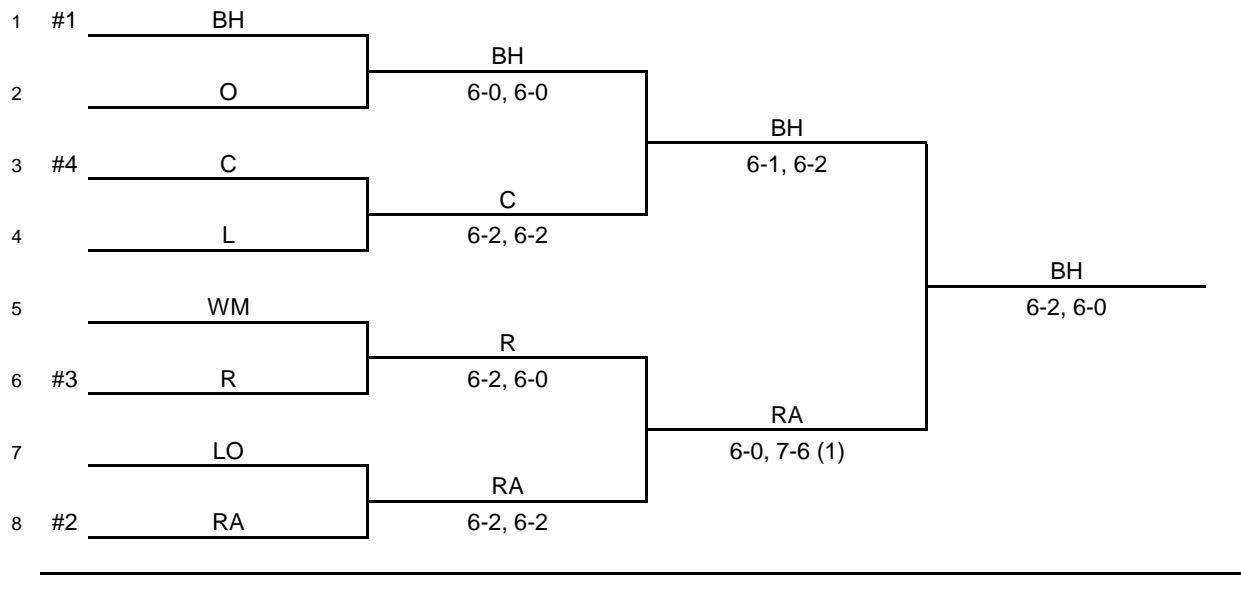
#3 SINGLES	
BH	Sebastian Burman
C	Frank Piana
L	Ryan Stichler
LO	Ty Selent
O	Trevor Wallace
R	Michael Randall
RA	Sergio Hernandez
WM	<i>default</i>

PARTICIPATING SCHOOLS	
Bloomfield Hills (BH)	
Clarkston (C)	
Lakeland (L)	
Lake Orion (LO)	
Oxford (O)	
Rochester (R)	
Rochester Adams (RA)	
Waterford Mott (WM)	



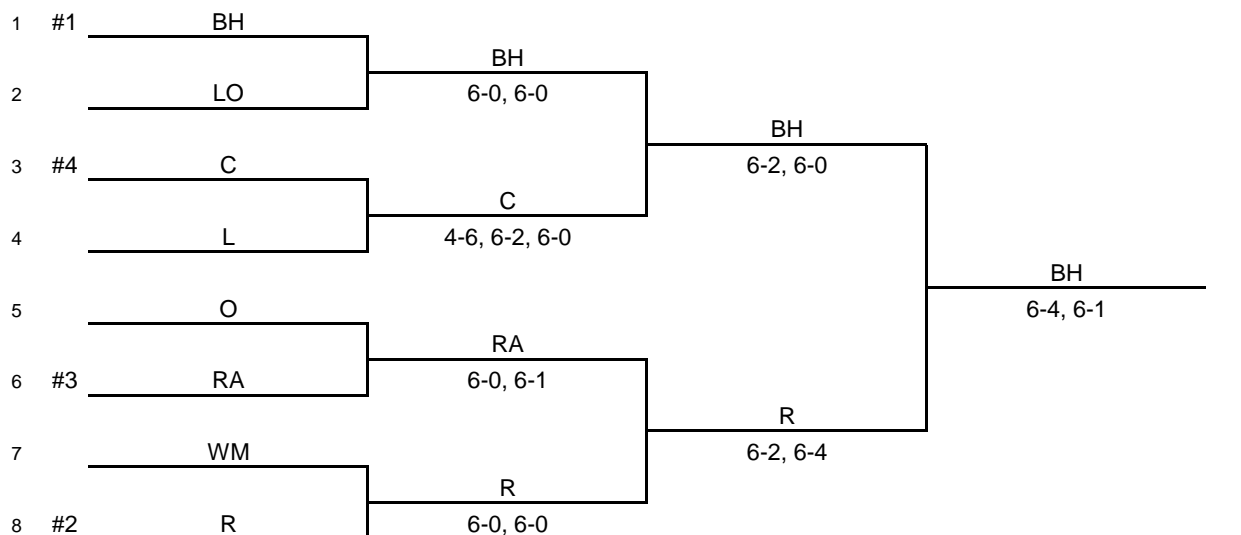
#4 SINGLES	
BH	Cade Burman
C	Noah Fasczewski
L	Ryan Ramboer
LO	Evan Smolinski
O	Gabe Smith
R	Viraj Lunani
RA	Peter Wattari
WM	Chris Sadik

# 2018 Boys Tennis Regional 7 - Clarkston 10/11/18



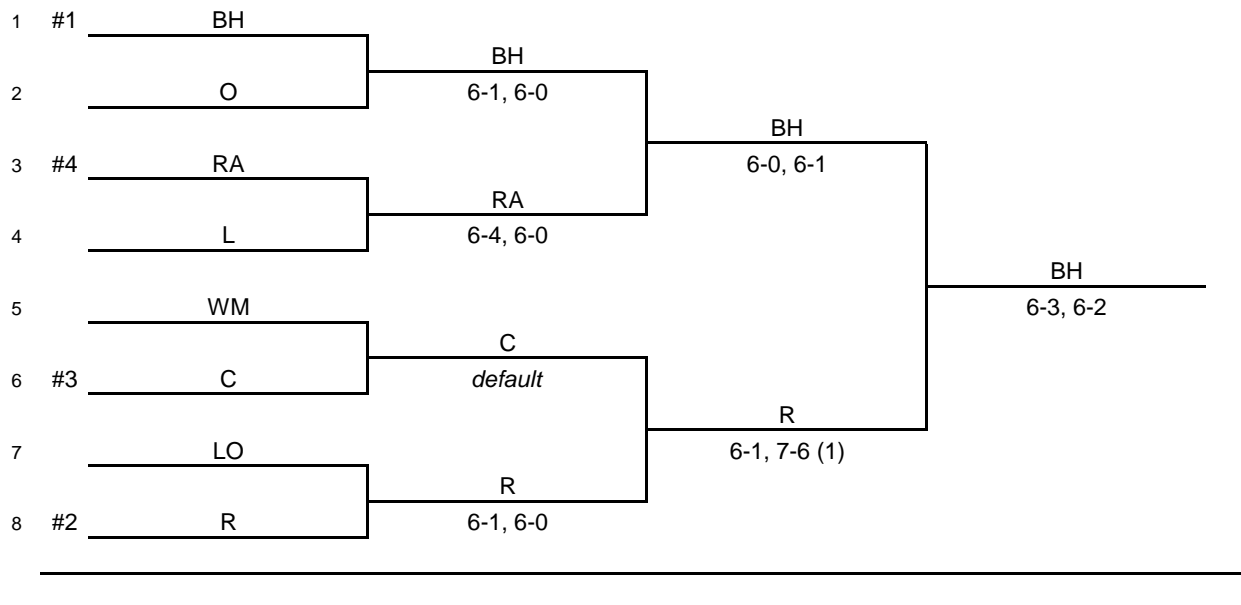
#1 DOUBLES	
BH	Noah Roslin / Adrian Wilen
C	Logan Knowlson / Adam Zentner
L	Max Kulis / Hrishi Bhagwat
LO	Shayne Barkely / Caleb Campbell
O	Brendan Hamari / Nolan Kutchey
R	Kurt Patalinghug / Jack Harding
RA	Thomas Wu / Hunter Lambrecht
WM	Kyle McWhitter / Tristin Xiong

PARTICIPATING SCHOOLS
Bloomfield Hills (BH)
Clarkston (C)
Lakeland (L)
Lake Orion (LO)
Oxford (O)
Rochester (R)
Rochester Adams (RA)
Waterford Mott (WM)



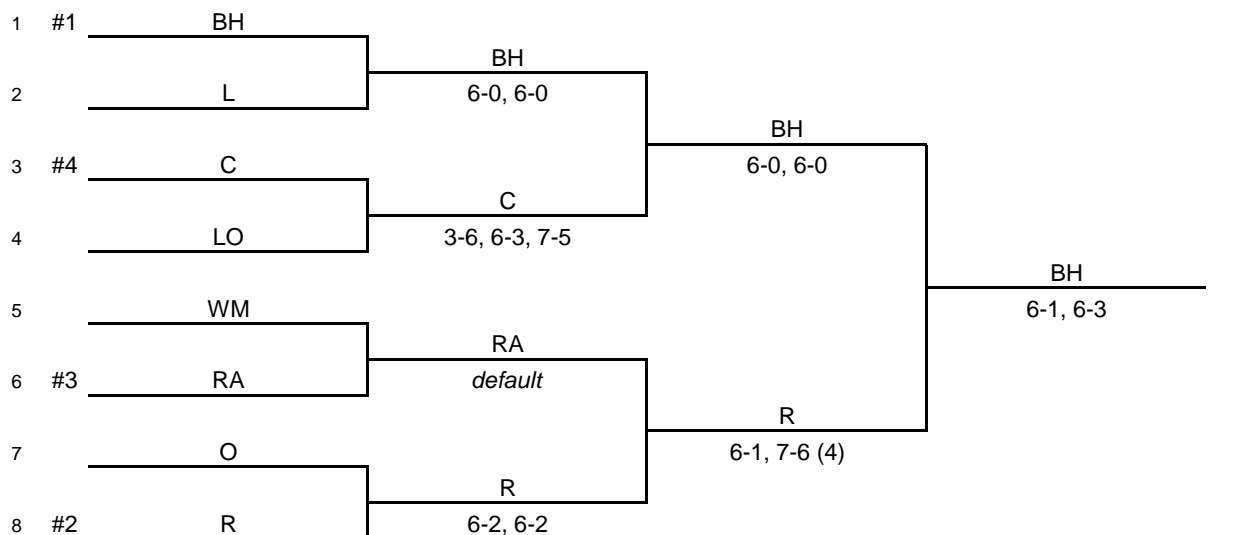
#2 DOUBLES	
BH	Ryan Frank / Andrew Chen
C	Jed Horst / Maximus Meehan
L	Caiden Carlson / Will Dungan
LO	Aidan VanGessell / Garrett Svoboda
O	Andrew Wassall / Zach Buchanan
R	Yash Kumar / Pranav Rajaram
RA	Anthony Ni / Jeffrey Ni
WM	Dan Garcia / Chris Noel

## 2018 Boys Tennis Regional 7 - Clarkston 10/11/18



#3 DOUBLES	
BH	Max Nosanchuk / Phoenix Williams
C	Brendan Aughe / Ike Yeloushan
L	Hector Benitez / Johnny Friday
LO	Sam Walker / Thomas Fluent
O	Dane Von Allmen / Silas Van Allmen
R	Karan Arora / Kishan Shah
RA	Michael Moran / Nick Pesci
WM	<i>default</i>

PARTICIPATING SCHOOLS	
Bloomfield Hills (BH)	
Clarkston (C)	
Lakeland (L)	
Lake Orion (LO)	
Oxford (O)	
Rochester (R)	
Rochester Adams (RA)	
Waterford Mott (WM)	



#4 DOUBLES	
BH	Michael Lee / James Piel
C	Nicholas Rouman / Evan Walsh
L	Alec Zerona / Daniel Stebbins
LO	Adam Whitus / Alex Ribeiro
O	Cameron Mumbroe / Chase Maier
R	Jack Crandall / Yagumo Morikawa
RA	Ethan Eliason / Dan Benedict
WM	<i>default</i>